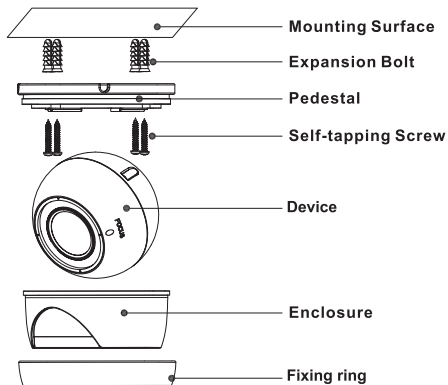
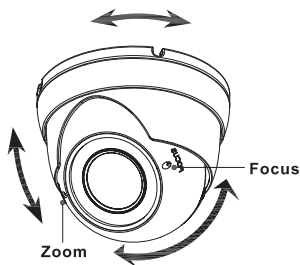


# Quick Installation Guide V1.0.0

## NOTE

- Please make sure the mounting surface is strong enough to hold at least three times of the camera weight.
- For wooden mounting surface, expansion bolts are optional.

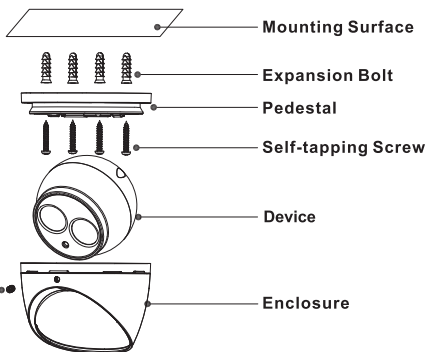
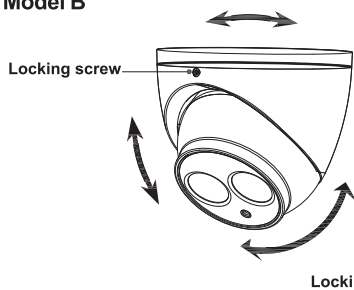
### Model A



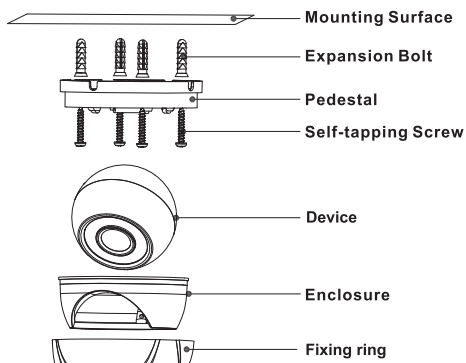
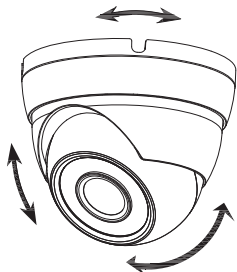
## NOTE

You can adjust zoom and focus with a screwdriver.

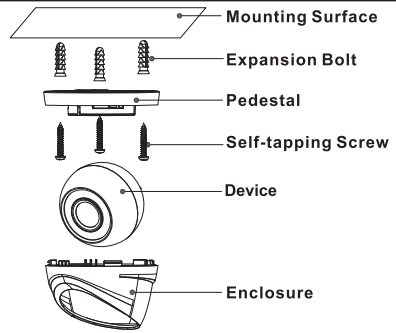
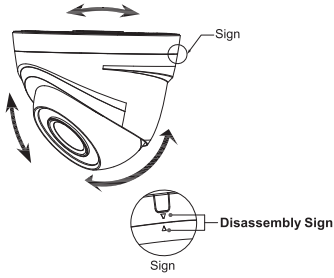
### Model B



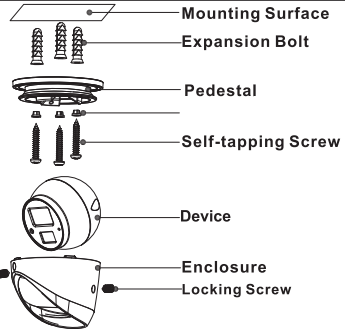
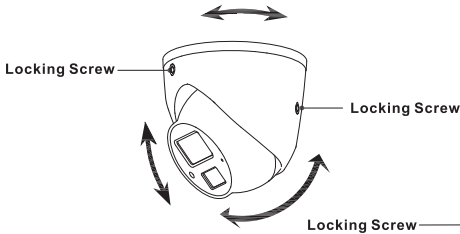
### Model C



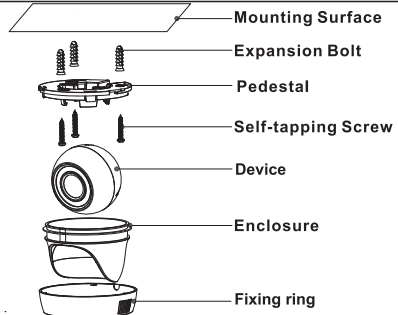
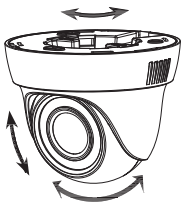
### Model D



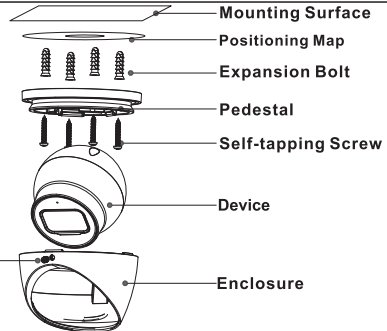
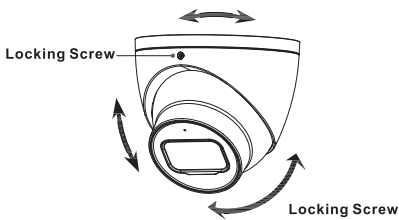
### Model E



### Model F



### Model G



#### NOTE

This manual is for reference only. Please visit our website or contact your local service engineer for more information.